

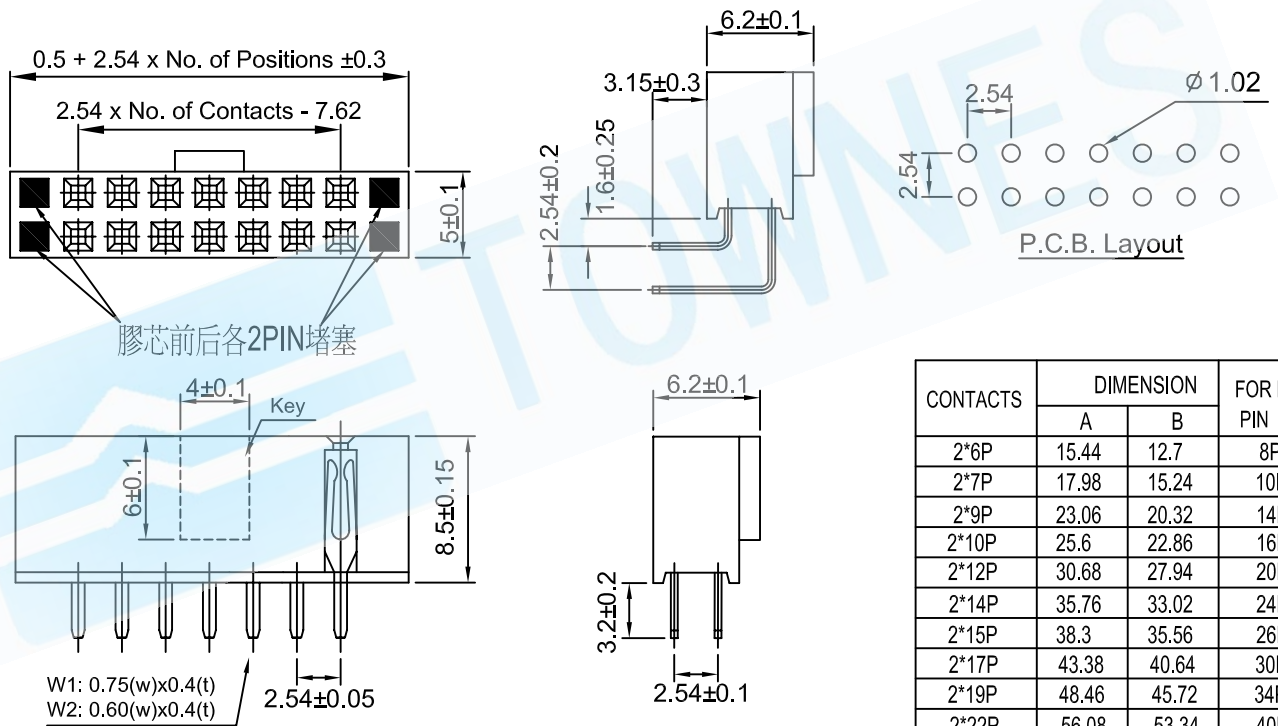
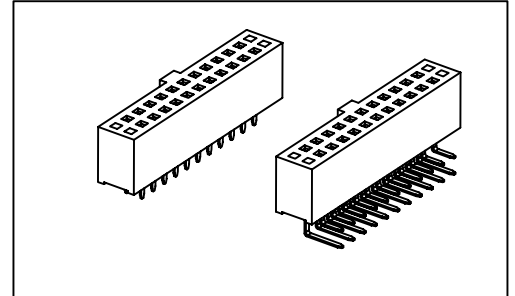
# 0.1"(2.54mm) Female Header

## Dual Row 06 to 60 Contacts

## Straight And Right Angle Type Profile : 8.5mm

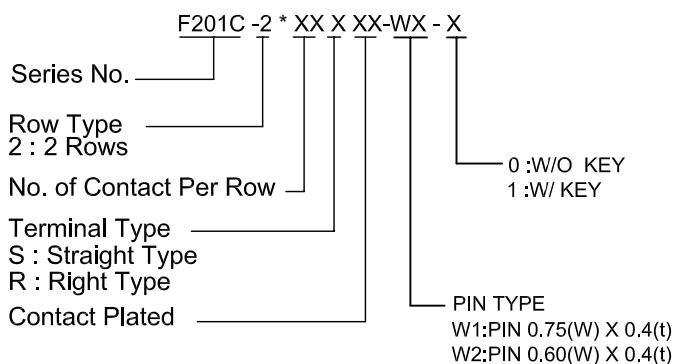
### SPECIFICATION

Current Rating	: 3 Amp
Insulator Resistance	: 5000 Megohms min.
Contact Resistance	: 20 Milliohms Max.
Dielectric Withstanding	: AC 500 V
Operating Temperature	: -40°C ~ +105°C
Contact Material	: Phosphor Bronze
Insulator Material	: Polyester, UL 94V-0
	Standard : P.B.T & NY-6T
Contact Plated	: Full Gold, Full Tin, Selective Plated
Standard	: Gold Flash all Over Nickel



CONTACTS	DIMENSION		FOR BOX PIN
	A	B	
2*6P	15.44	12.7	8P
2*7P	17.98	15.24	10P
2*9P	23.06	20.32	14P
2*10P	25.6	22.86	16P
2*12P	30.68	27.94	20P
2*14P	35.76	33.02	24P
2*15P	38.3	35.56	26P
2*17P	43.38	40.64	30P
2*19P	48.46	45.72	34P
2*22P	56.08	53.34	40P
2*27P	68.78	66.04	50P
2*32P	81.48	78.74	60P
2*34P	86.56	83.82	64P

### HOW TO ORDER



Full Gold Type	Selective Plated Type Gold Plated on Contact Area Tin Plated on Solder Area	Full Tin Type
GF : Gold Flash	HF : Gold Flash, Tin 100u"	T1 : Tin 100u"
G1 : Gold 3u"	H1 : Gold 3u", Tin 100u"	T2 : Tin 200u"
G2 : Gold 5u"	H2 : Gold 5u", Tin 100u"	
G3 : Gold 10u"	H3 : Gold 10u", Tin 100u"	
G4 : Gold 15u"	H4 : Gold 15u", Tin 100u"	
G5 : Gold 20u"	H5 : Gold 20u", Tin 100u"	
G6 : Gold 30u"	H6 : Gold 30u", Tin 100u"	